

# Advantage Series - Height Adjustable

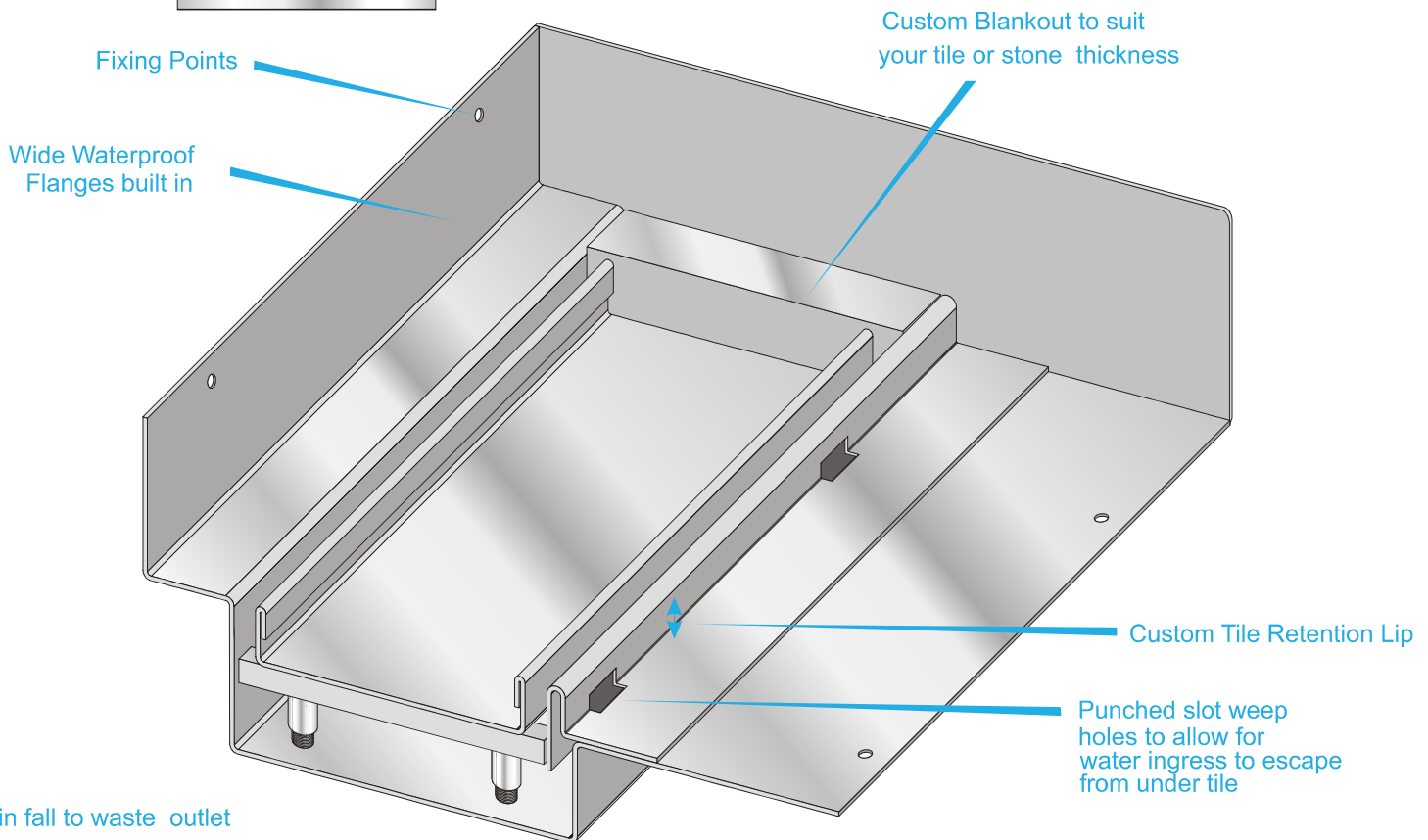
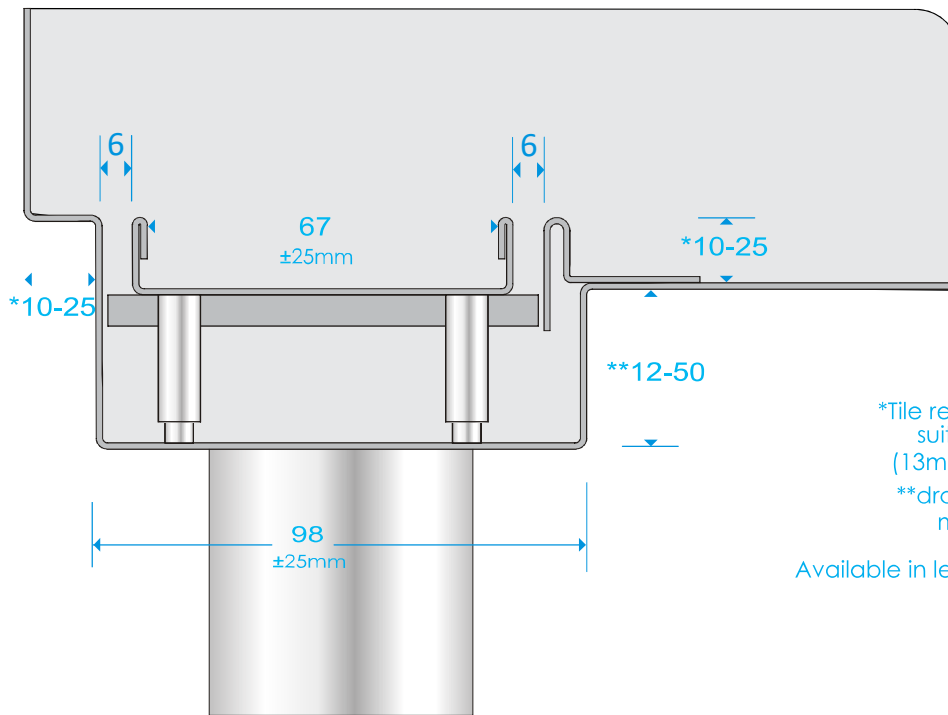
## Wall to Wall - Tile Insert Tray

HATIWW



Creative Drain Solutions™

R3 - 01.07.2020



	<ul style="list-style-type: none"><li>• Manufactured exclusively from 316 Stainless Steel (Marine Grade)</li><li>• Durable, Corrosive Resistant, Tensile Strength.</li></ul>
---	--

All dimensions are in millimetres, +/- 3.  
Drains 1.2mm Stainless Steel