

Advantage Series

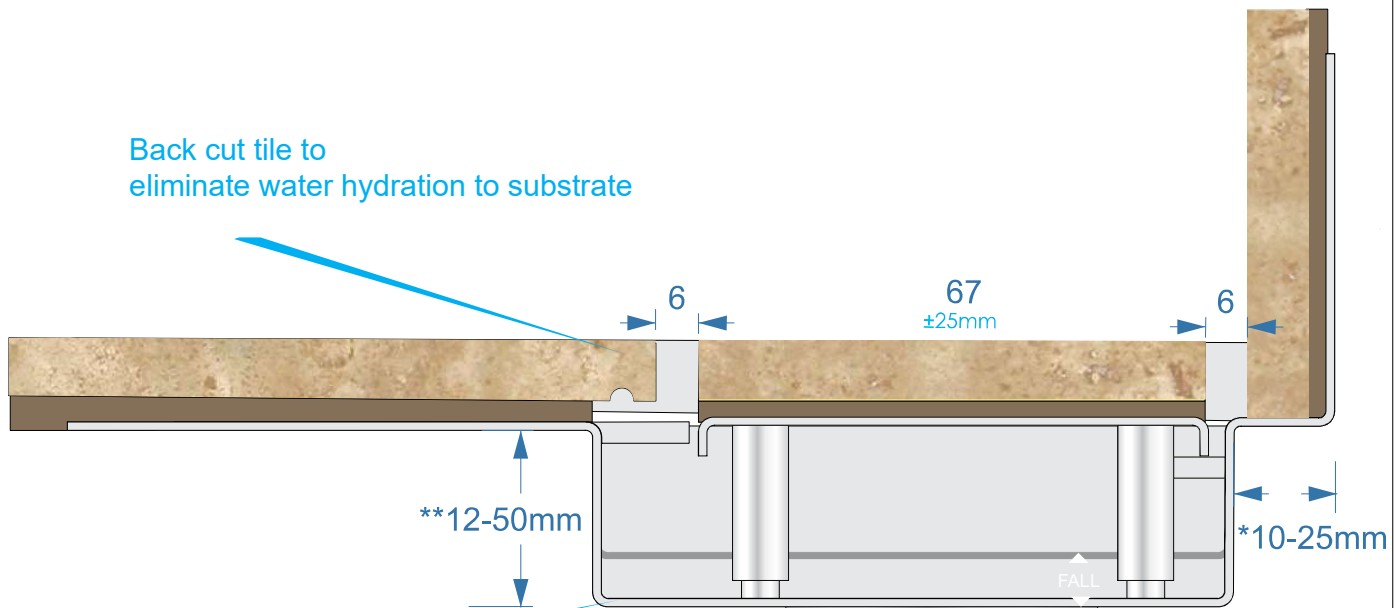
Wall to Tile Surround - Inverted Tile Tray

ITWTS



Creative Drain Solutions™

Back cut tile to eliminate water hydration to substrate



Fall built into drain base to waste outlet provided the outlet is located to one end of the drain (50 - 100mm to centre from end)

- *Can be adjusted to suit your tile thickness
- **Drain depth can be adjusted 12mm min to 50mm max

Available in lengths between 800mm - 7000mm

Feet set at 180-280mm apart



316

- Manufactured exclusively from 316 Stainless Steel (Marine Grade)
- Durable, Corrosive Resistant, Tensile Strength.

Disclaimer: These drawings are the intellectual property of Creative Drain Solutions. This information is indicative only. Creative Drain Solutions accepts no liability arising from the use of this information.

Creative Drain Solutions

Ph: (03) 9758 0588

creativedrainsolutions.com.au