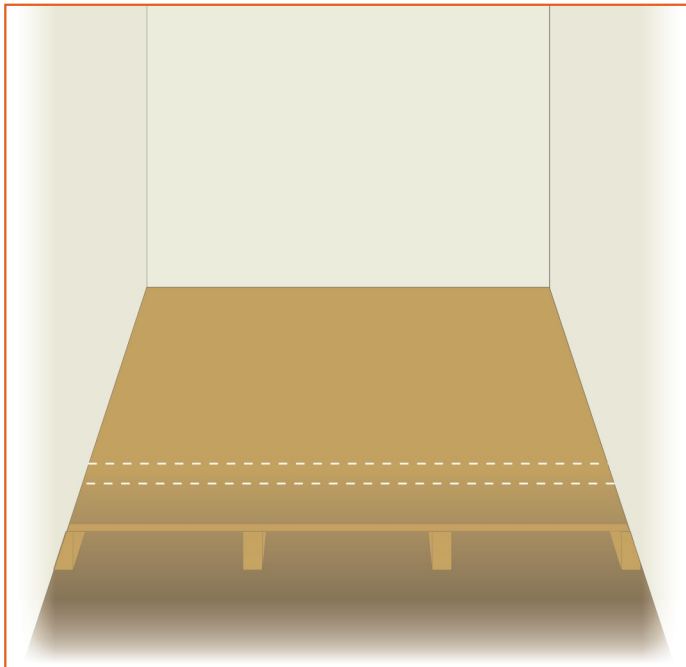


# Installation Guide

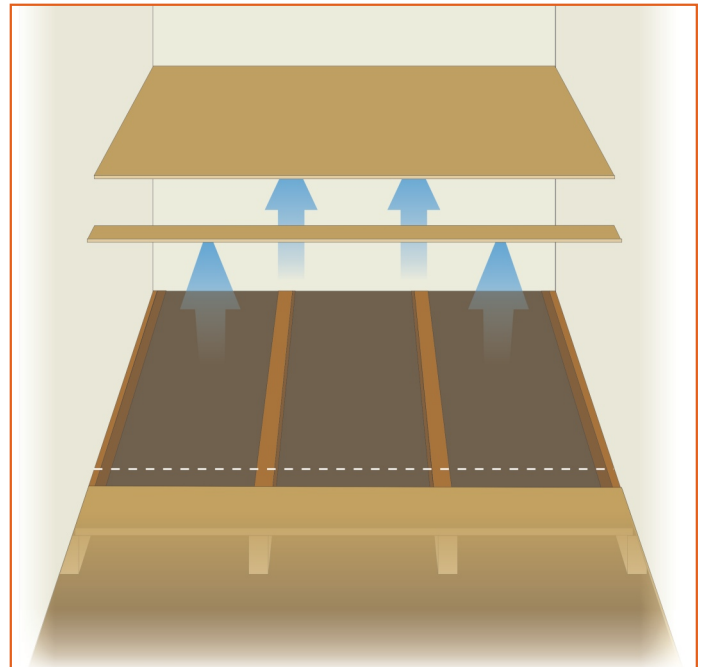
Advantage -  
Tile to Tile



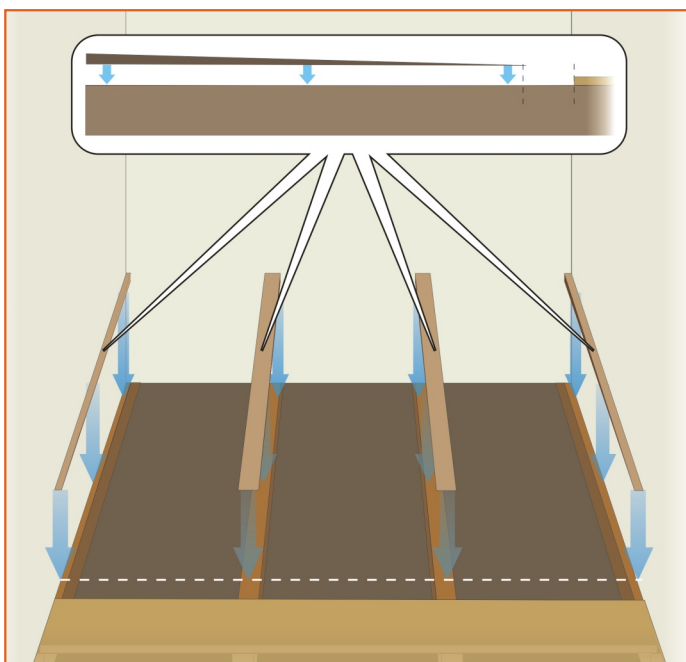
Creative Drain Solutions™



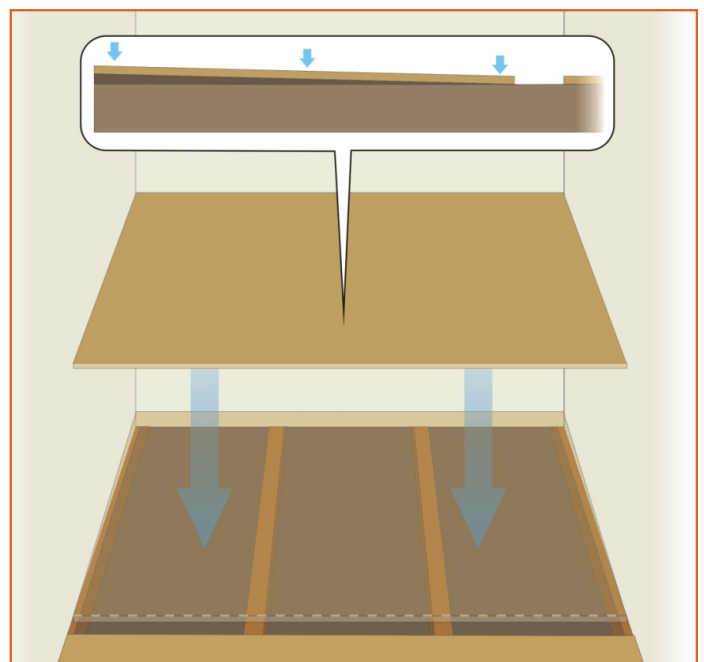
**Step 1** Mark out floor area to suit drain size.



**Step 2** Remove floor area to gain access to floor joists, add additional floor joist support if necessary.



**Step 3** Cut and fix graded batons over existing floor joists.



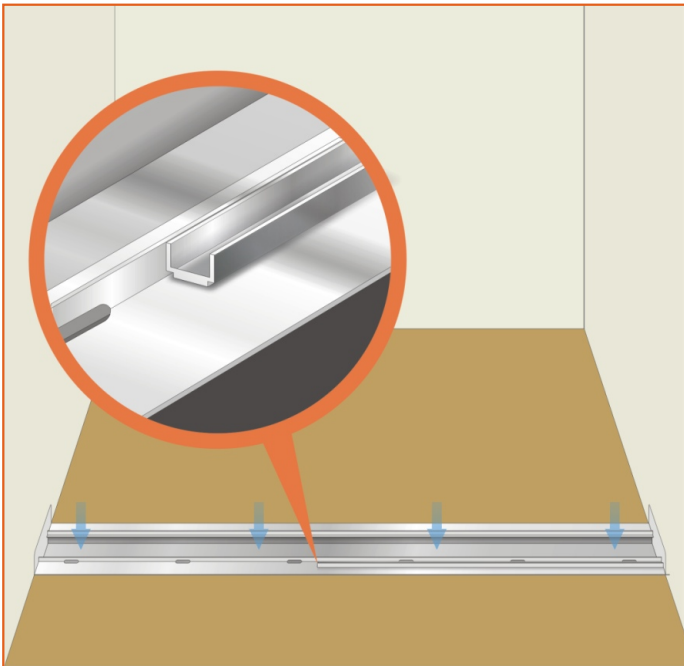
**Step 4** After fall has been created, refit existing flooring leaving room for new drain at the front.

# Installation Guide

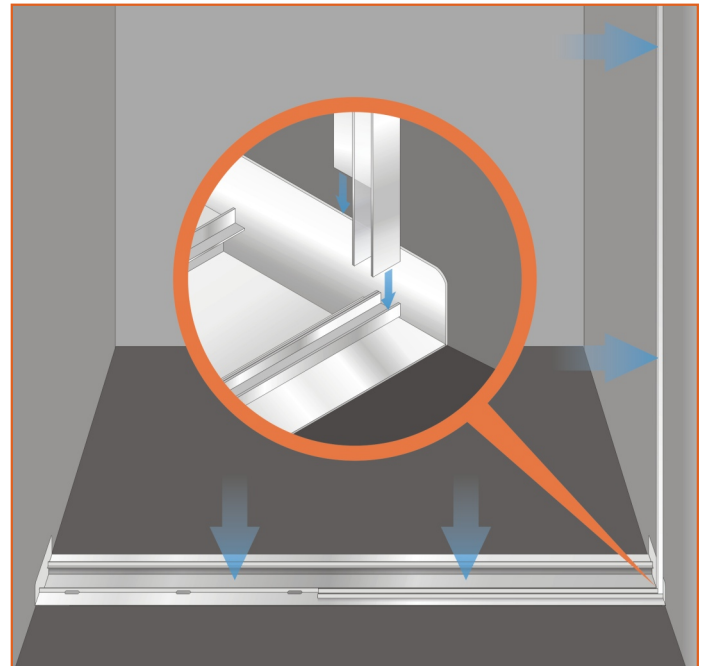
Advantage -  
Tile to Tile



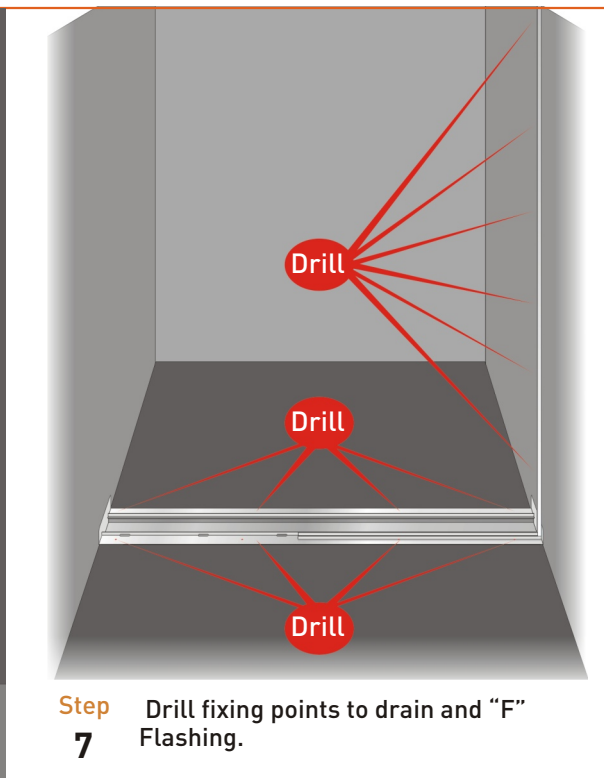
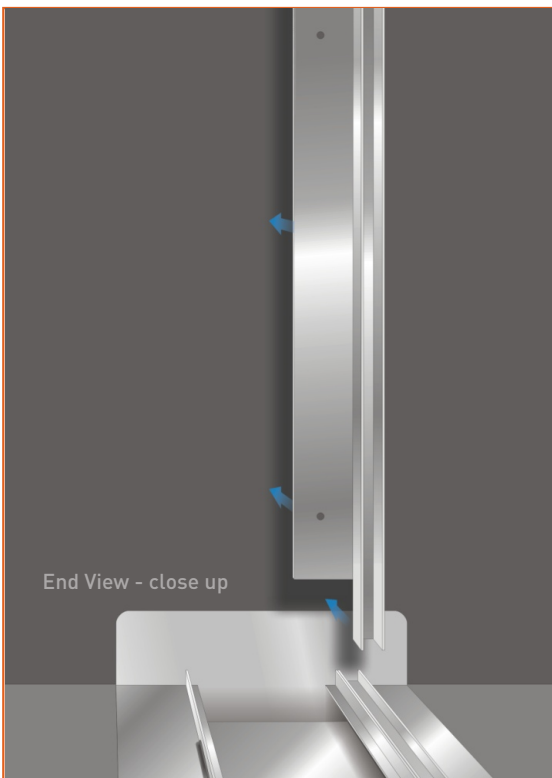
Creative Drain Solutions™



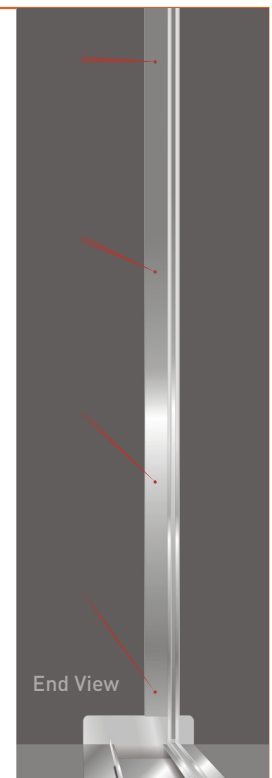
**Step 5** Check that the drain fits prior to installing ceramic tile underlay.



**Step 6** After installing ceramic tile underlay, re check the drain fit. Place F flashing in required position and mark area of drain and F flashing.



**Step 7** Drill fixing points to drain and "F" Flashing.

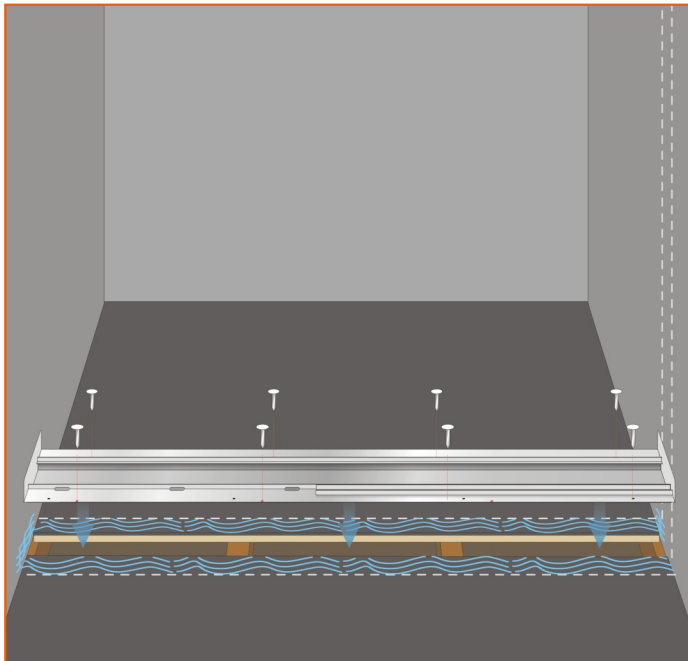


# Installation Guide

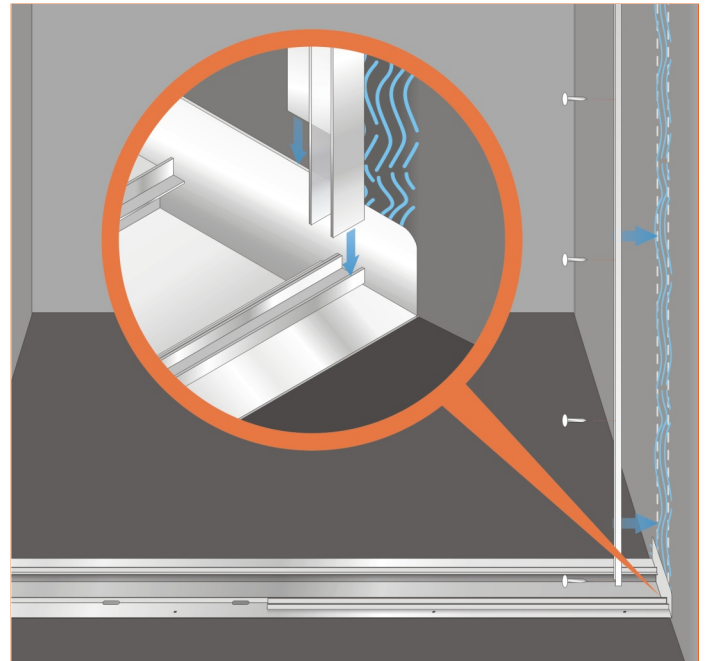
Advantage -  
Tile to Tile



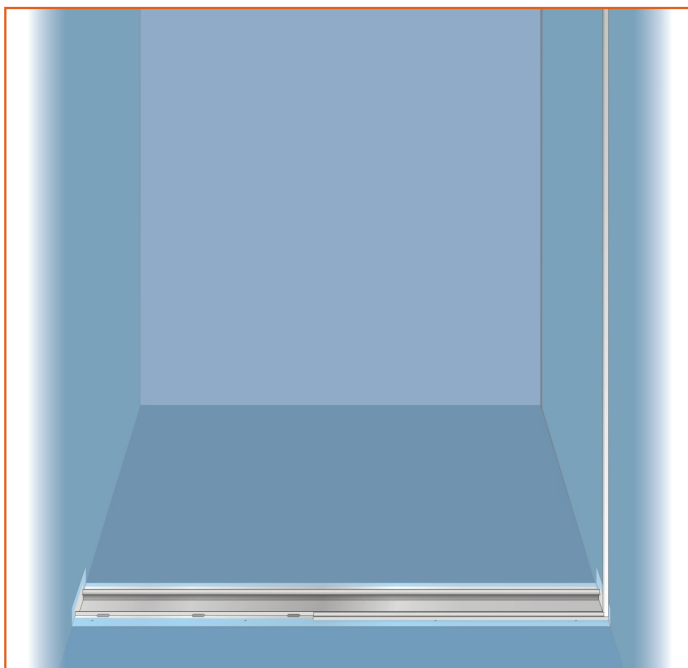
Creative Drain Solutions™



**Step 9** Install drain using sealant and 20mm clouts or similar.



**Step 10** Install "F" Flashing using sealant and 20mm clouts or similar.



**Step 11** Your bathroom is now ready for final waterproofing and tiling.