

Wall to Tile Inverted Tile Installation Guide



Creative Drain Solutions™



Disclaimer: These drawings are the intellectual property of Creative Drain Solutions. This information is indicative only. Creative Drain Solutions accepts no liability arising from the use of this information.

Creative Drain Solutions

Ph: (03) 9758 0588

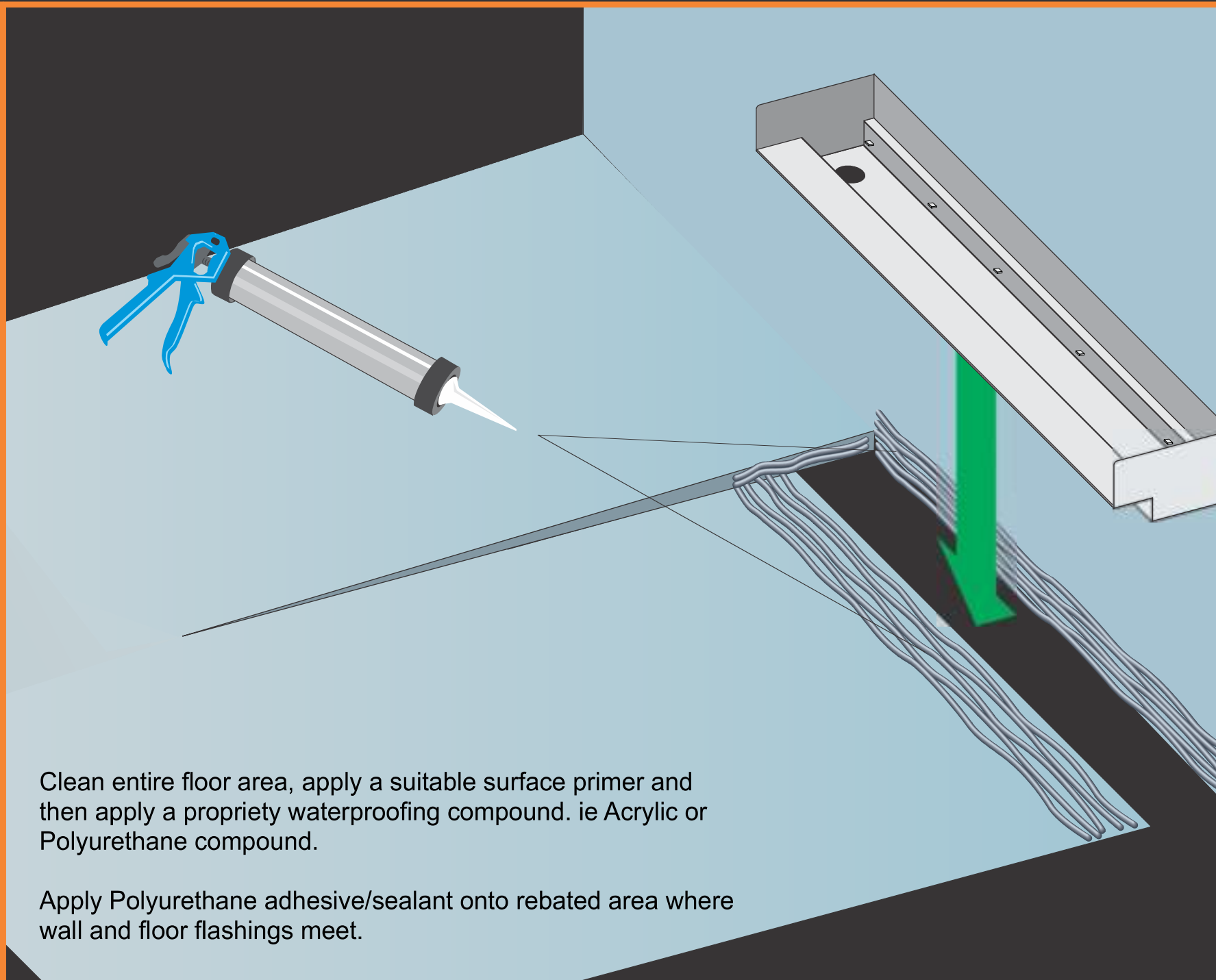
createdrainsolutions.com.au



Creative Drain Solutions™

STEP

1



Clean entire floor area, apply a suitable surface primer and then apply a propriety waterproofing compound. ie Acrylic or Polyurethane compound.

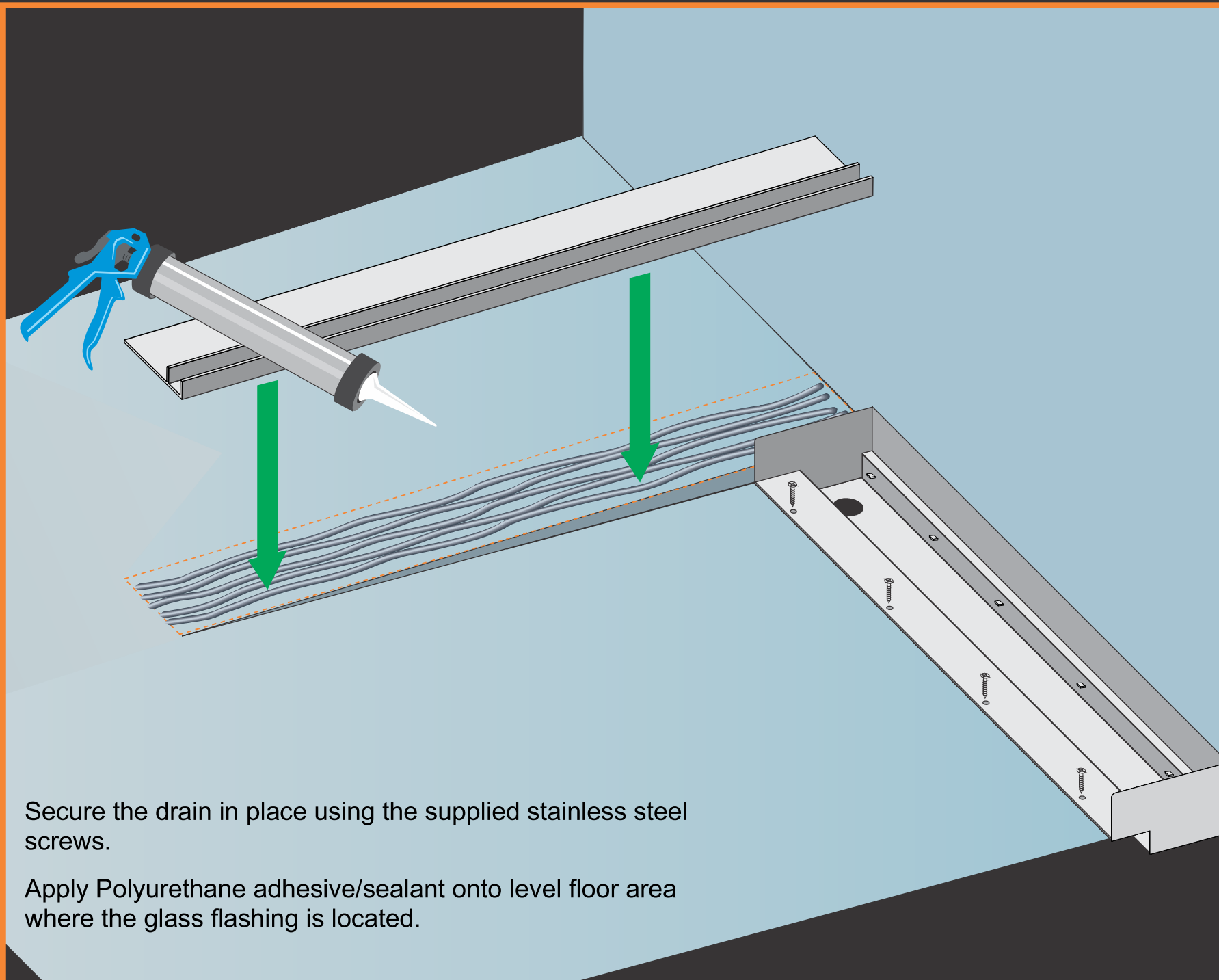
Apply Polyurethane adhesive/sealant onto rebated area where wall and floor flashings meet.



Creative Drain Solutions™

STEP

2



Secure the drain in place using the supplied stainless steel screws.

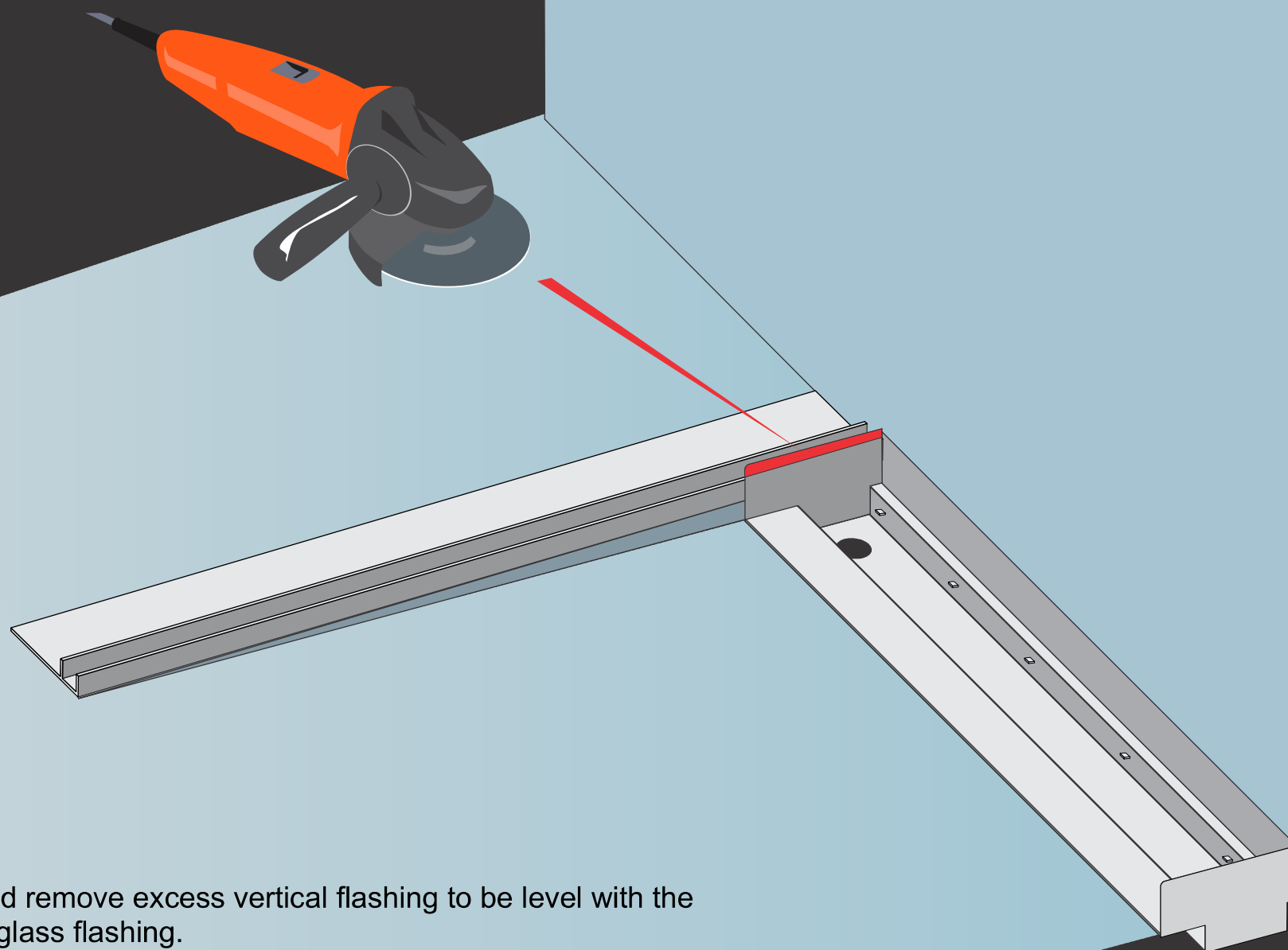
Apply Polyurethane adhesive/sealant onto level floor area where the glass flashing is located.



Creative Drain Solutions™

STEP

3



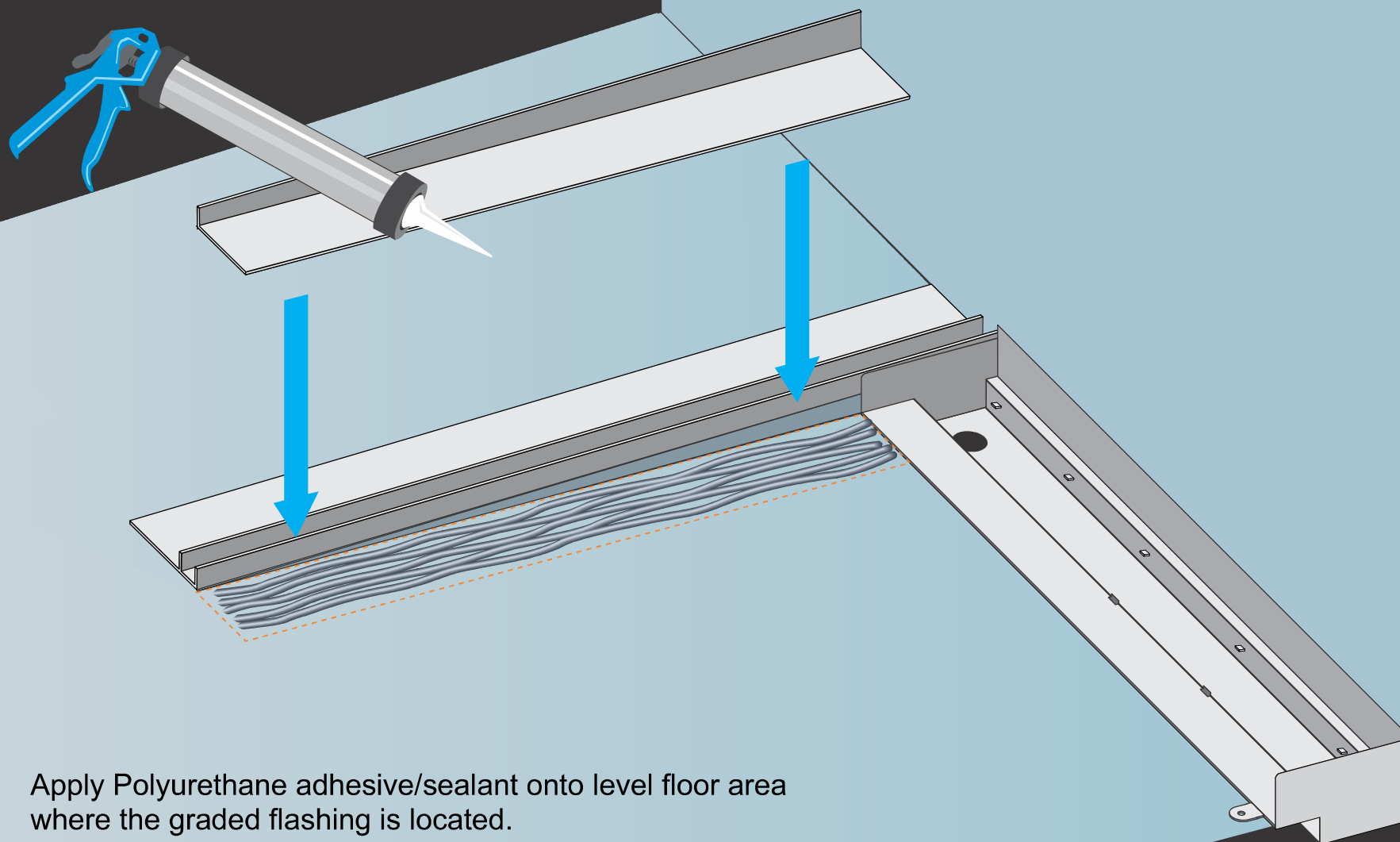
Cut and remove excess vertical flashing to be level with the top of glass flashing.



Creative Drain Solutions™

STEP

4



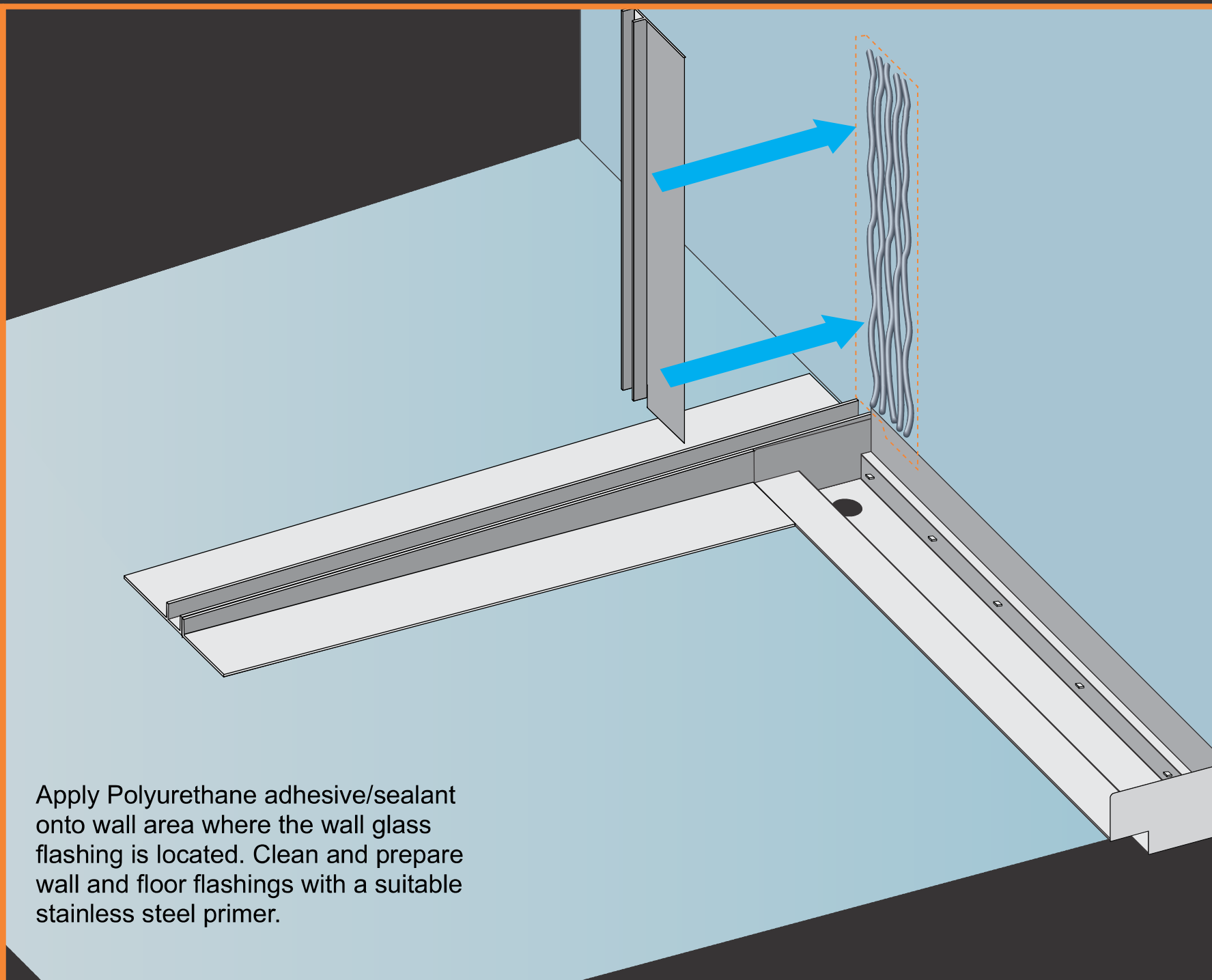
Apply Polyurethane adhesive/sealant onto level floor area where the graded flashing is located.



Creative Drain Solutions™

STEP

5



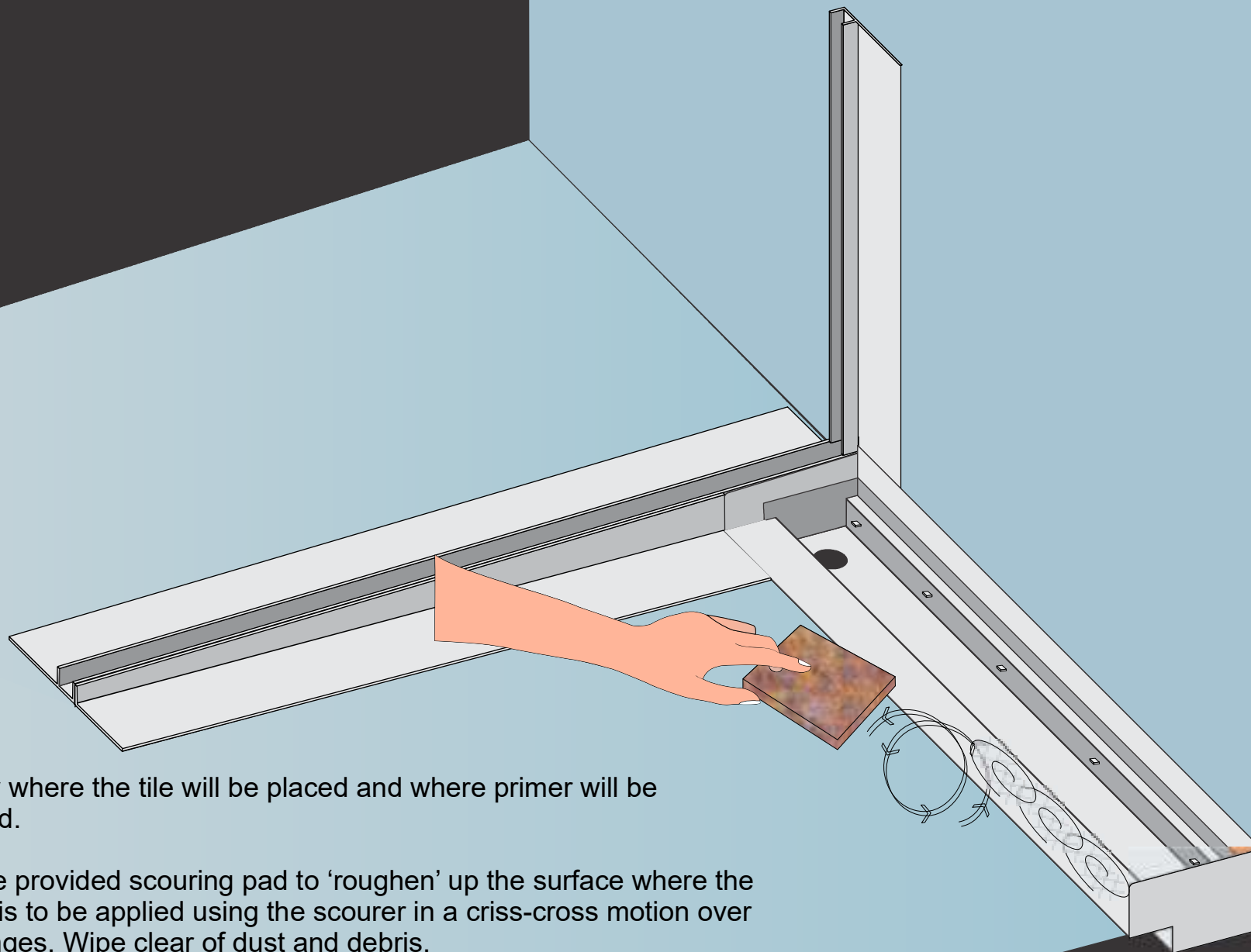
Apply Polyurethane adhesive/sealant onto wall area where the wall glass flashing is located. Clean and prepare wall and floor flashings with a suitable stainless steel primer.



Creative Drain Solutions™

STEP

6



Identify where the tile will be placed and where primer will be required.

Use the provided scouring pad to 'roughen' up the surface where the primer is to be applied using the scourer in a criss-cross motion over the flanges. Wipe clear of dust and debris.

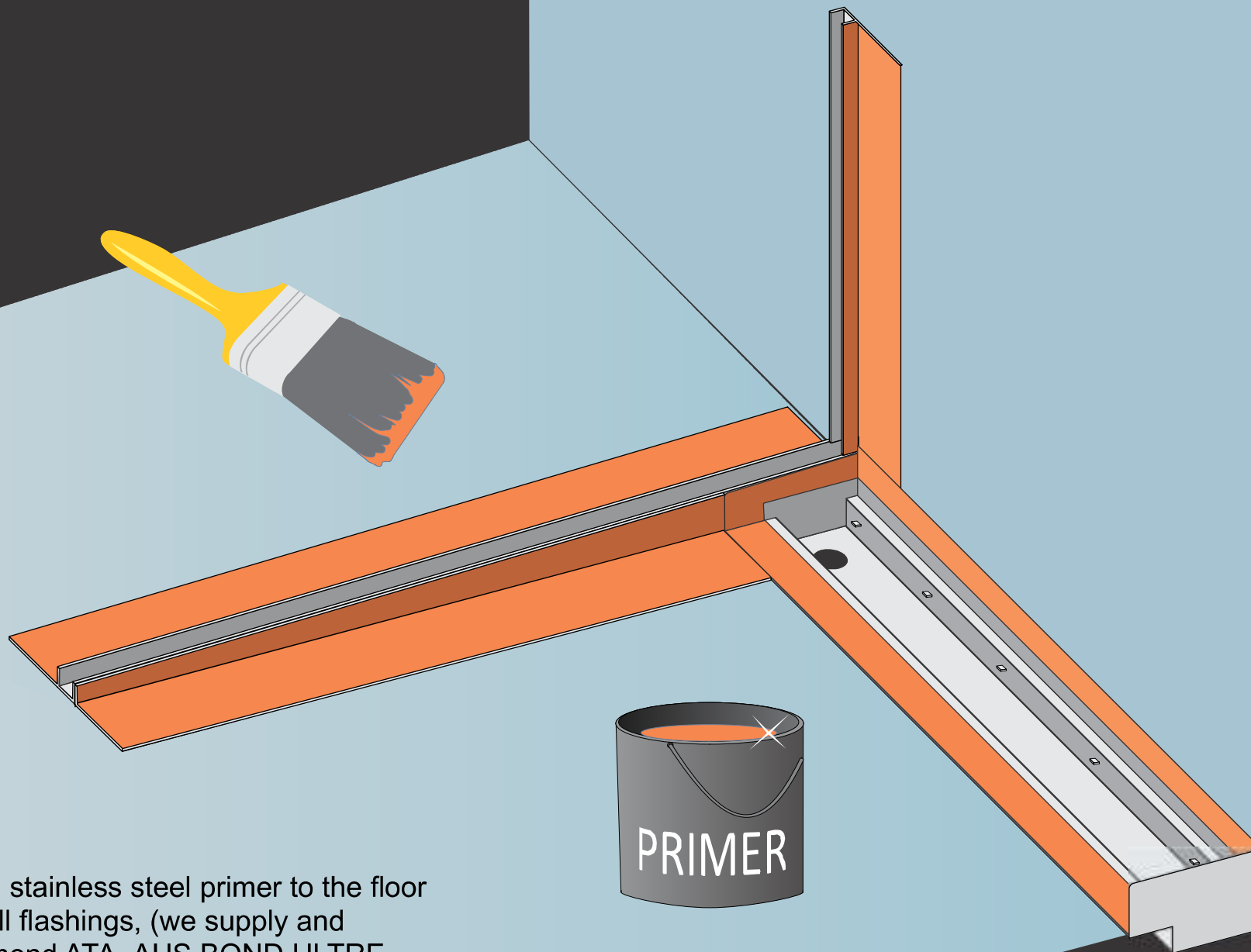
Only use scotch brite scoring pads for use on stainless steel. Do not use steel wool or other steel scourers.



Creative Drain Solutions™

STEP

7



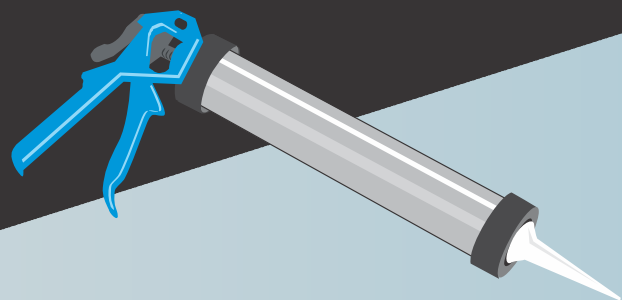
Apply a stainless steel primer to the floor and wall flashings, (we supply and recommend ATA- AUS BOND ULTRE PRIME) as per manufacturers installation instructions.



Creative Drain Solutions™

STEP

8



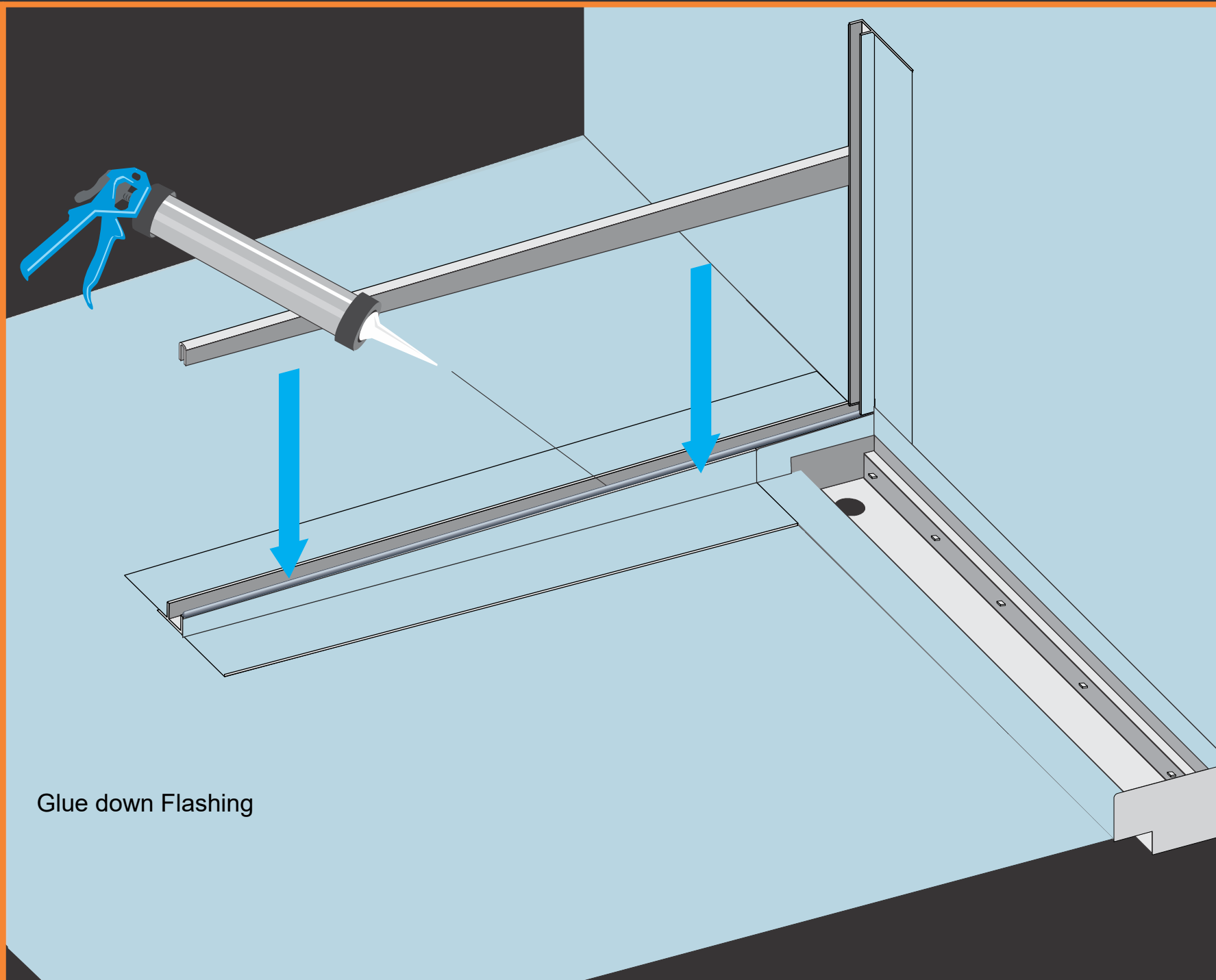
Apply a Polyurethane adhesive/sealant into remaining recess area and over the drain and graded flashing, (ensuring the slot weep holes are not covered) feather to a flat finish using a spatula or similar.



Creative Drain Solutions™

STEP

9



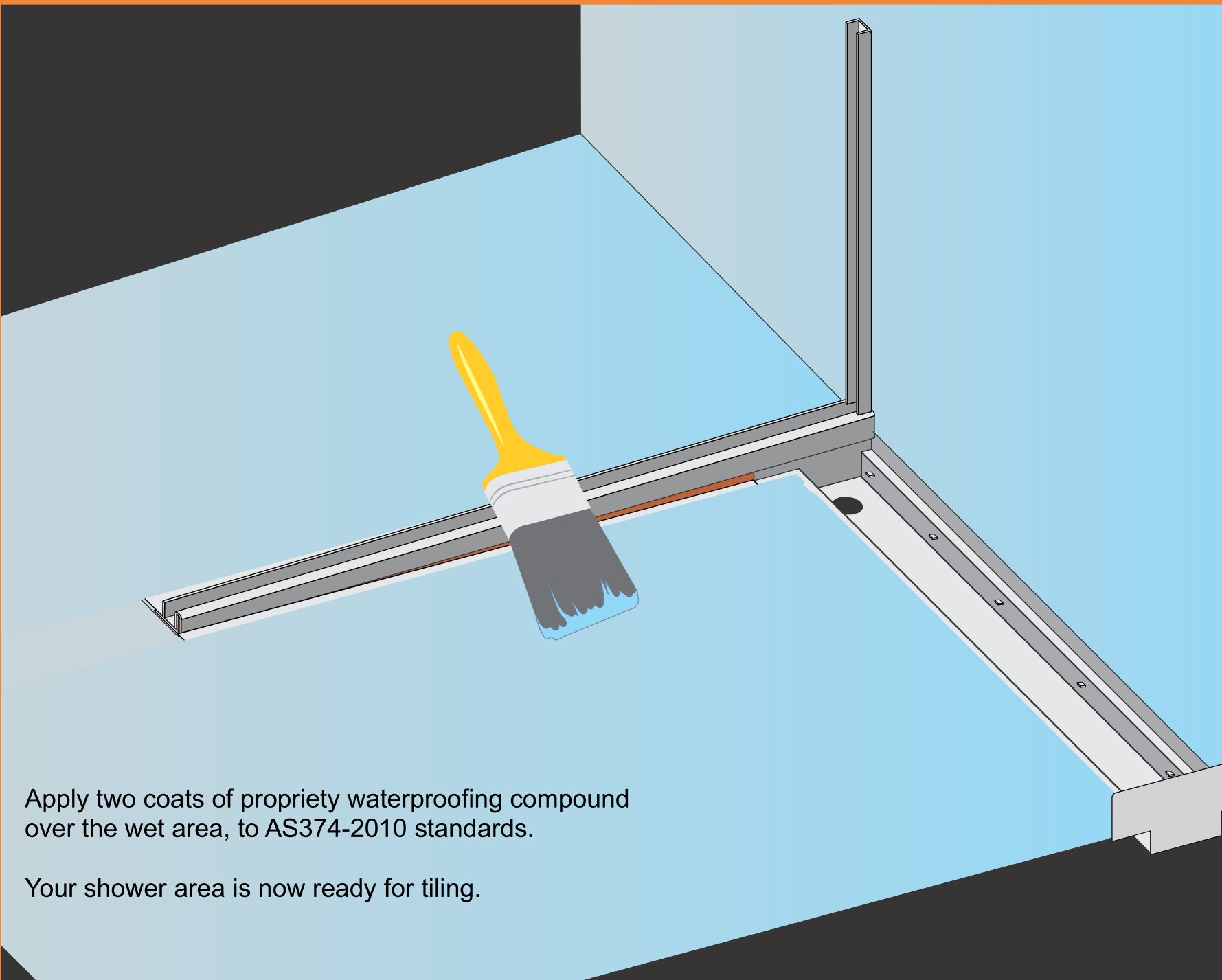
Glue down Flashing



Creative Drain Solutions™

STEP

10



Apply two coats of propriety waterproofing compound over the wet area, to AS374-2010 standards.

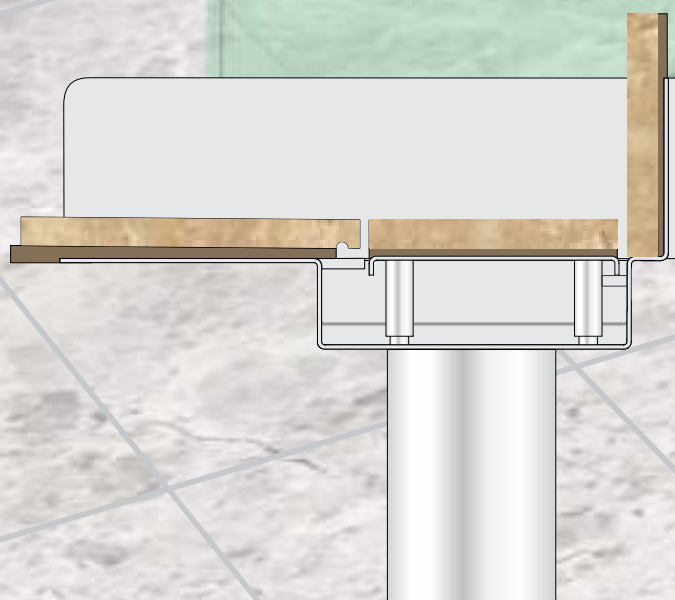
Your shower area is now ready for tiling.



Creative Drain Solutions™

STEP

11



Tiles or Stone laid with fall to drain, tile or stone glued to tray.
Grout as required.

Give the tile and drain a clean with warm soapy water to ensure no dirt or debris remains and rinse with warm water.

Fit Inverted Insert Tray in place and rinse clean.

Now you can enjoy your new Creative Drain and tiled wet area.



Creative Drain Solutions™

STEP

12

