

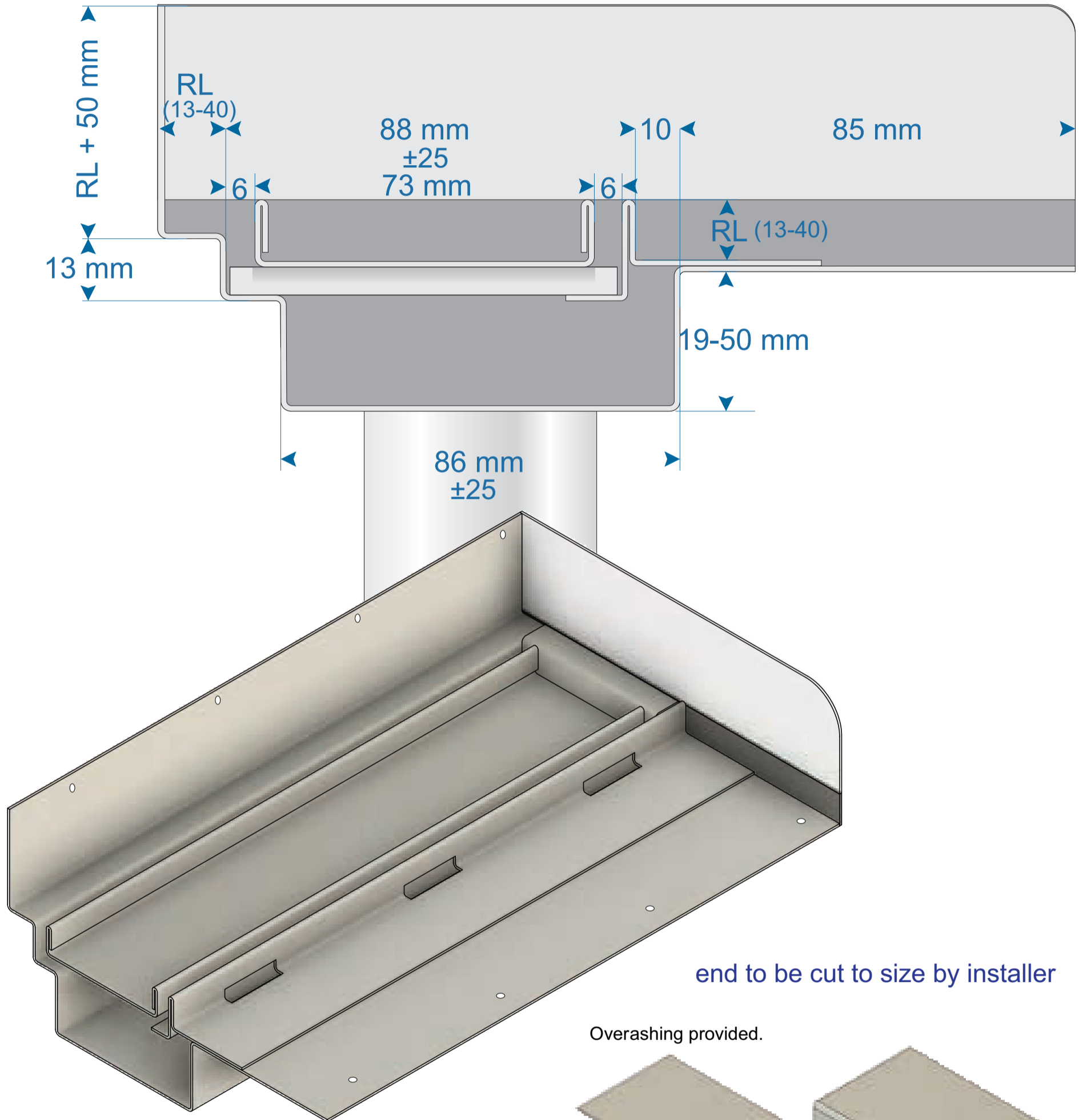
Indoor

Advantage Series

Advantage Wall to Tile - Tile Insert Tray



AWT-TIT



Material: 1.2mm 316 Marine Grade Stainless Steel
Lengths: 800-7500mm.
Finishes: Folded Tile Insert Tray, electro-polished as standard (custom finishes available).

Fall: Built in fall included as standard when dropper is located between 75-100mm from one end.
Tile: 13-40mm retention lips. Blankouts and wall tile retention lip to suit wall tile thickness.
Thinner tiles can be used by packing up with approved materials in accordance with NCC.

Dropper: Between 75-100mm from one end as standard.
Dropper can be positioned anywhere along the drain.
All threaded droppers provided with a loose M&F fitting

Minimum Cut out depth = Depth + 5mm
Minimum Cut out width = Width + 10mm

All dimensions are in millimeters, +/- 5mm Creative Drain Solutions - Indoor Products Master Library - CDS-IML-V3

Disclaimer: These drawings are the intellectual property of Creative Drain Solutions. This information is indicative only. Creative Drain Solutions accepts no liability arising from the use of this information.

Creative Drain Solutions Ph: (03) 9758 0588 Fax: (03) 9758 0533 creativedrainsolutions.com.au

