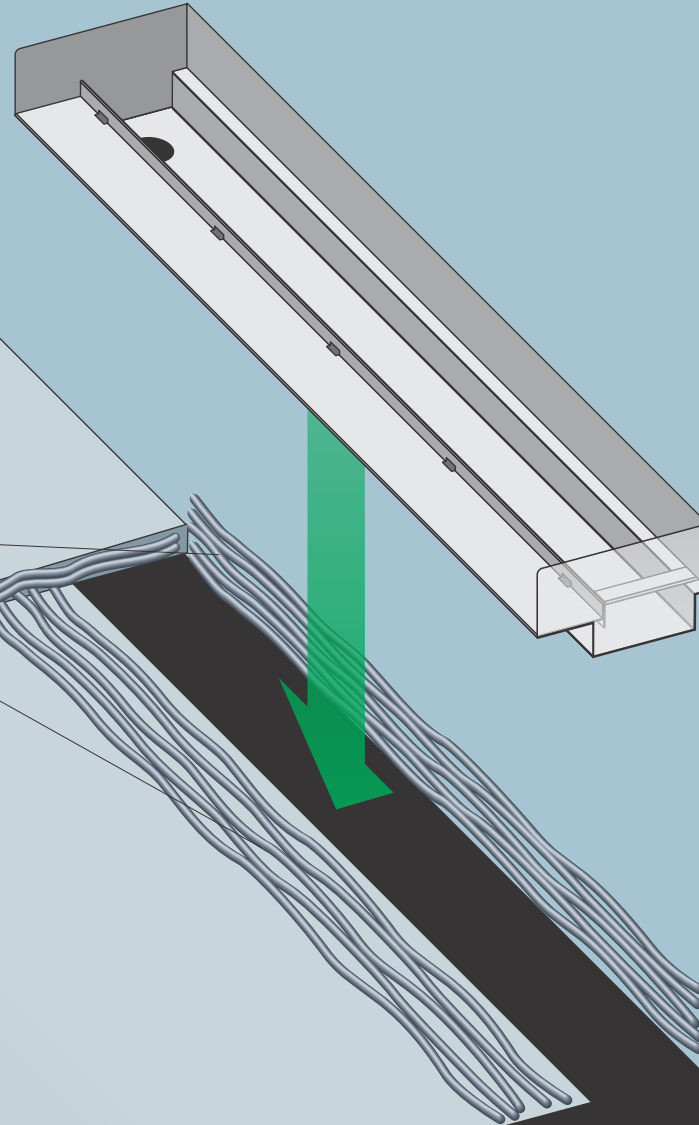
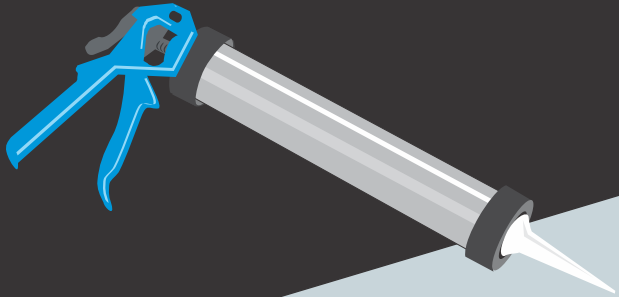


Clean entire floor area, apply a suitable surface primer and then apply a propriety waterproofing compound. ie Acrylic or Polyurethane compound.

Apply Polyurethane adhesive/sealant onto rebated area where wall and floor flashings meet.



Creative Drain Solutions™

STEP

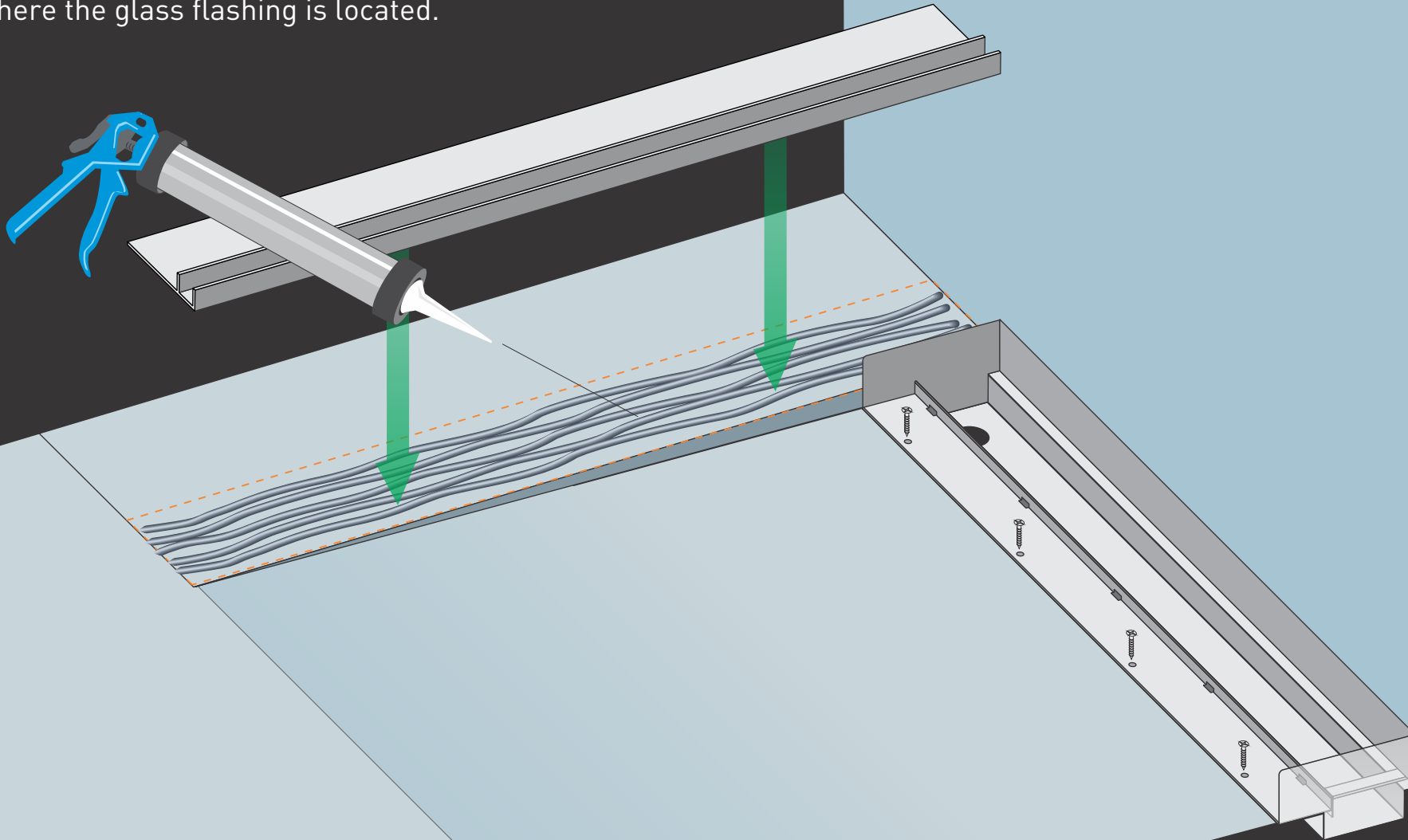
1

Disclaimer: These drawings are the intellectual property of Creative Drain Solutions. This information is indicative only. Creative Drain Solutions accepts no liability arising from the use of this information.

Creative Drain **Solutions** Ph: (03) 9758 0588 Fax: (03) 9758 0533 creativedrainsolutions.com.au

Secure the drain in place using the supplied stainless steel screws.

Apply Polyurethane adhesive/sealant onto level floor area where the glass flashing is located.



Creative Drain Solutions™

STEP

2

Disclaimer: These drawings are the intellectual property of Creative Drain Solutions. This information is indicative only. Creative Drain Solutions accepts no liability arising from the use of this information.

Creative Drain **Solutions** Ph: (03) 9758 0588 Fax: (03) 9758 0533 creativedrainsolutions.com.au

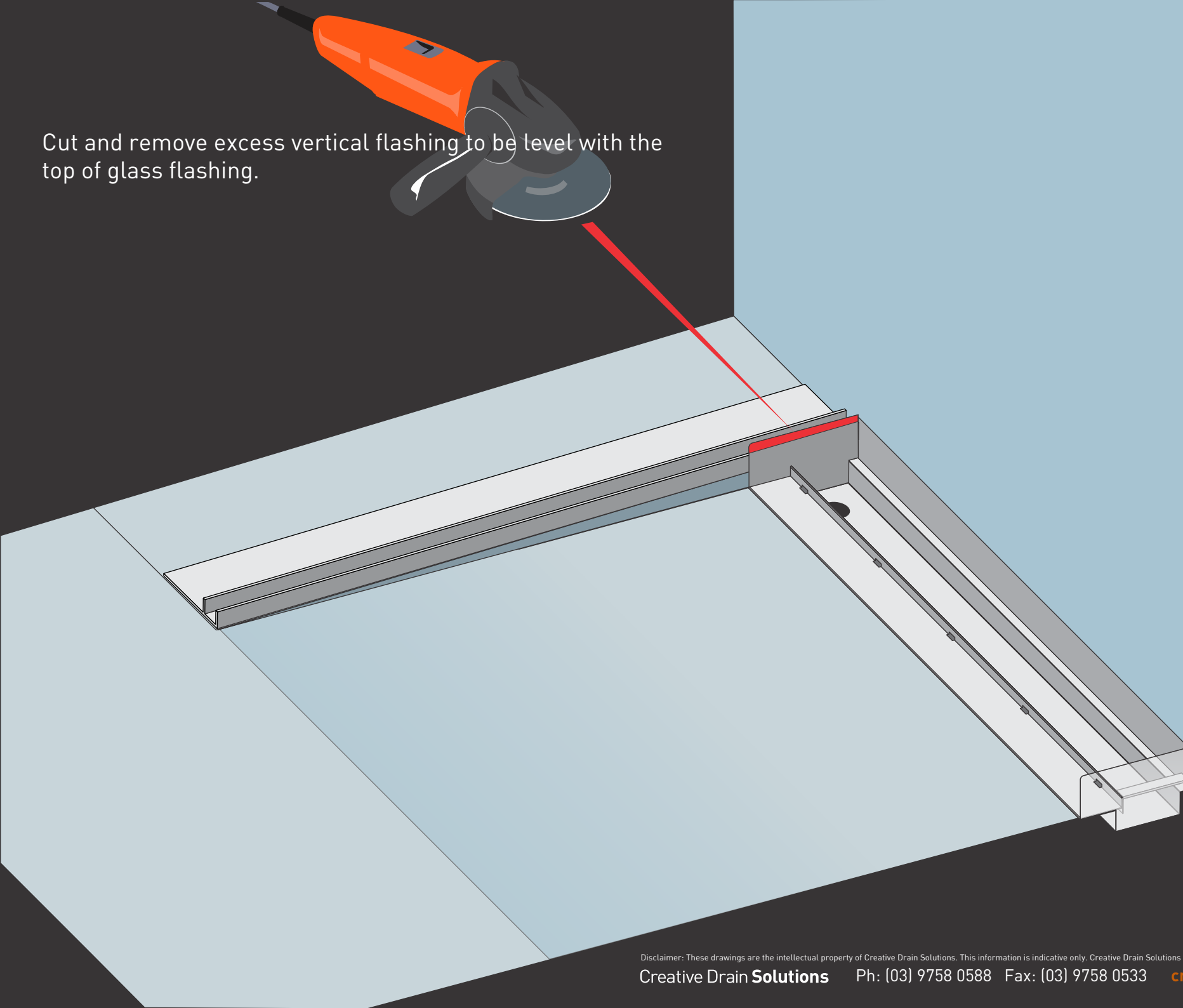
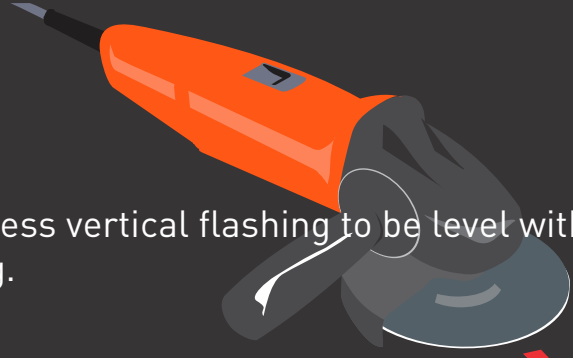


Creative Drain Solutions™

STEP

3

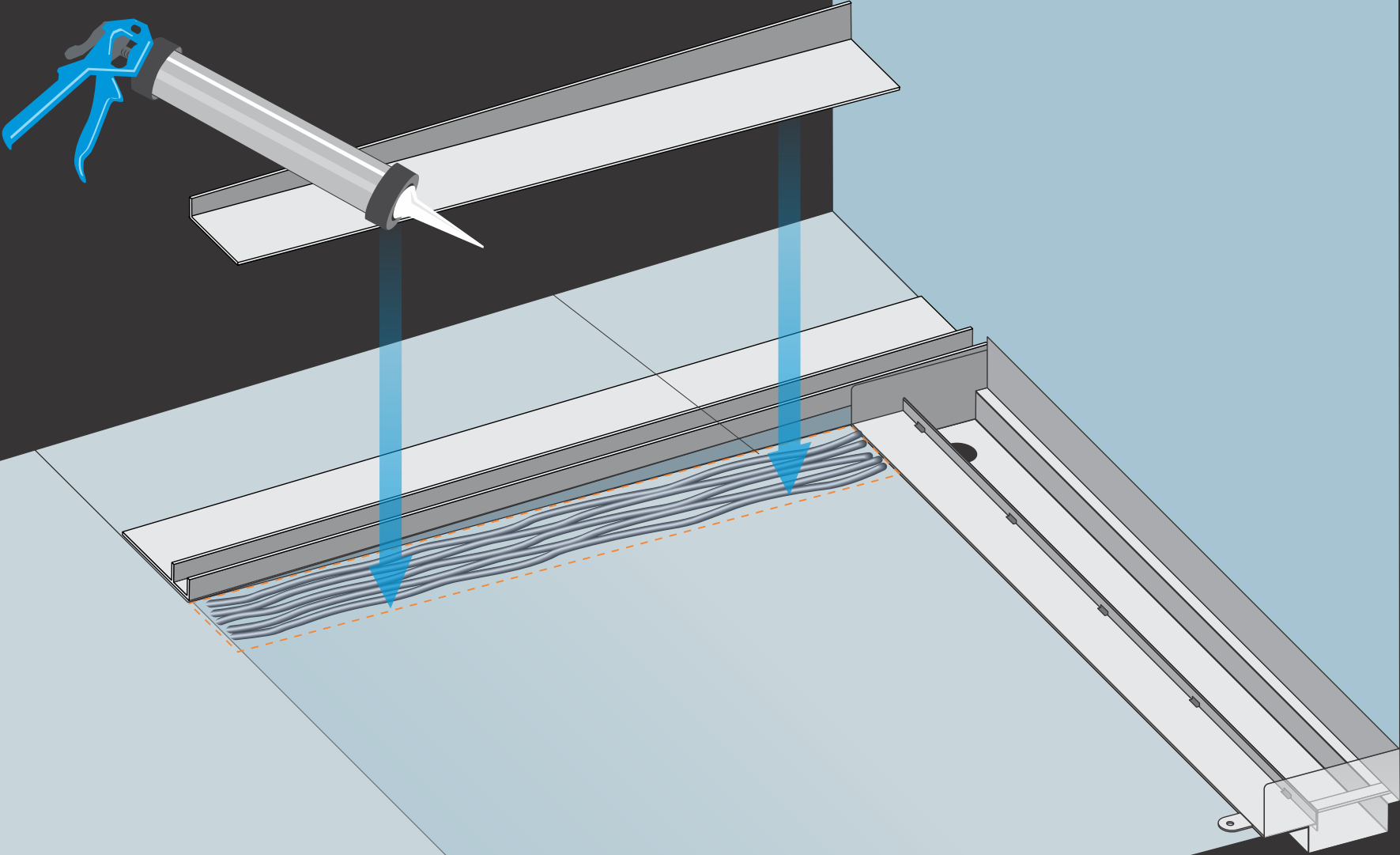
Cut and remove excess vertical flashing to be level with the top of glass flashing.



Disclaimer: These drawings are the intellectual property of Creative Drain Solutions. This information is indicative only. Creative Drain Solutions accepts no liability arising from the use of this information.

Creative Drain **Solutions** Ph: (03) 9758 0588 Fax: (03) 9758 0533 creativedrainsolutions.com.au

Apply Polyurethane adhesive/sealant onto level floor area where the graded flashing is located.



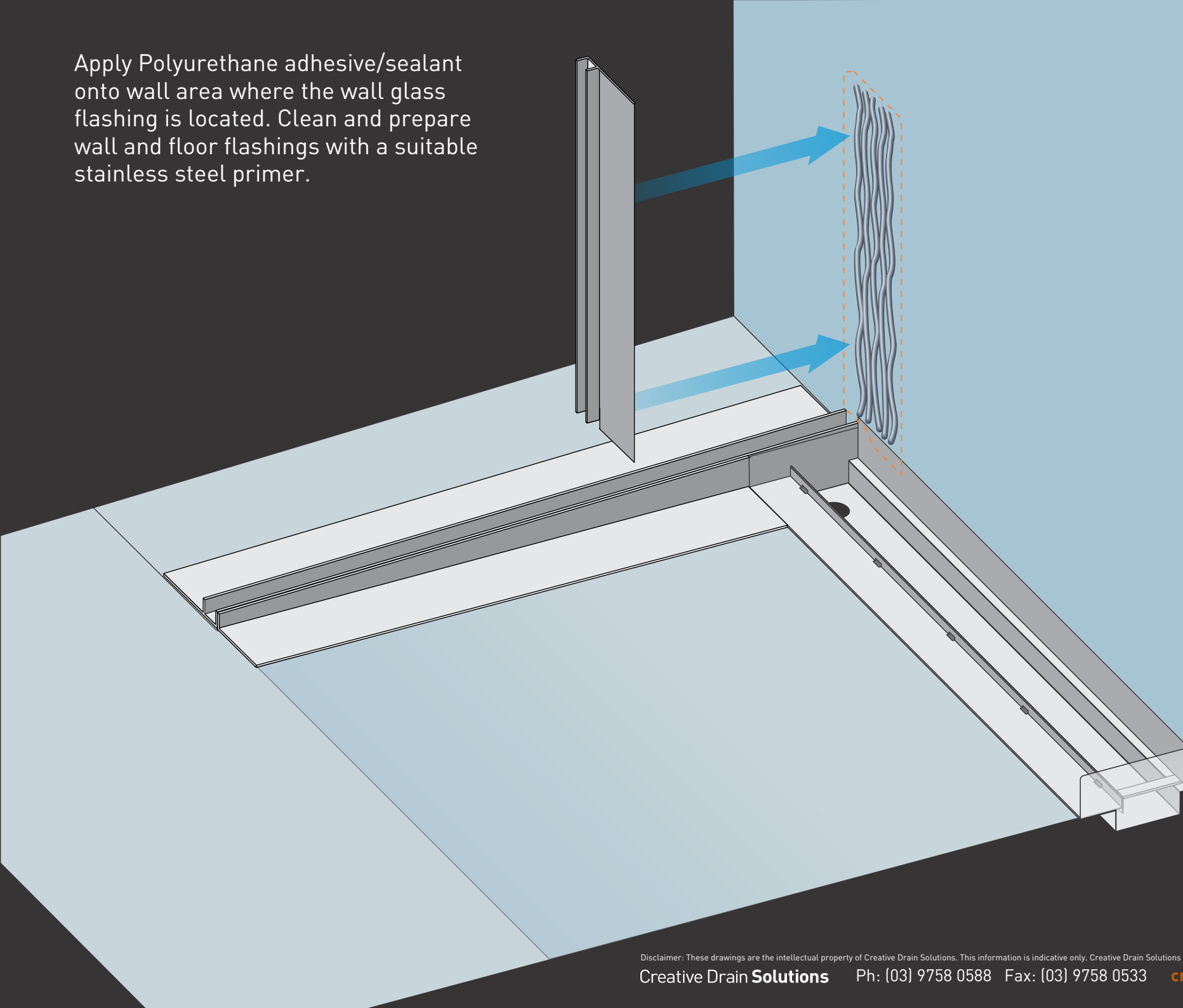
STEP

4

Disclaimer: These drawings are the intellectual property of Creative Drain Solutions. This information is indicative only. Creative Drain Solutions accepts no liability arising from the use of this information.

Creative Drain **Solutions** Ph: (03) 9758 0588 Fax: (03) 9758 0533 creativedrainsolutions.com.au

Apply Polyurethane adhesive/sealant onto wall area where the wall glass flashing is located. Clean and prepare wall and floor flashings with a suitable stainless steel primer.



Creative Drain Solutions™

STEP

5

Disclaimer: These drawings are the intellectual property of Creative Drain Solutions. This information is indicative only. Creative Drain Solutions accepts no liability arising from the use of this information.

Creative Drain **Solutions** Ph: (03) 9758 0588 Fax: (03) 9758 0533 creativedrainsolutions.com.au

Apply a stainless steel primer to the floor and wall flashings, (we supply and recommend ATA- AUS BOND ULTRE PRIME) as per manufacturers installation instructions.



Creative Drain Solutions™

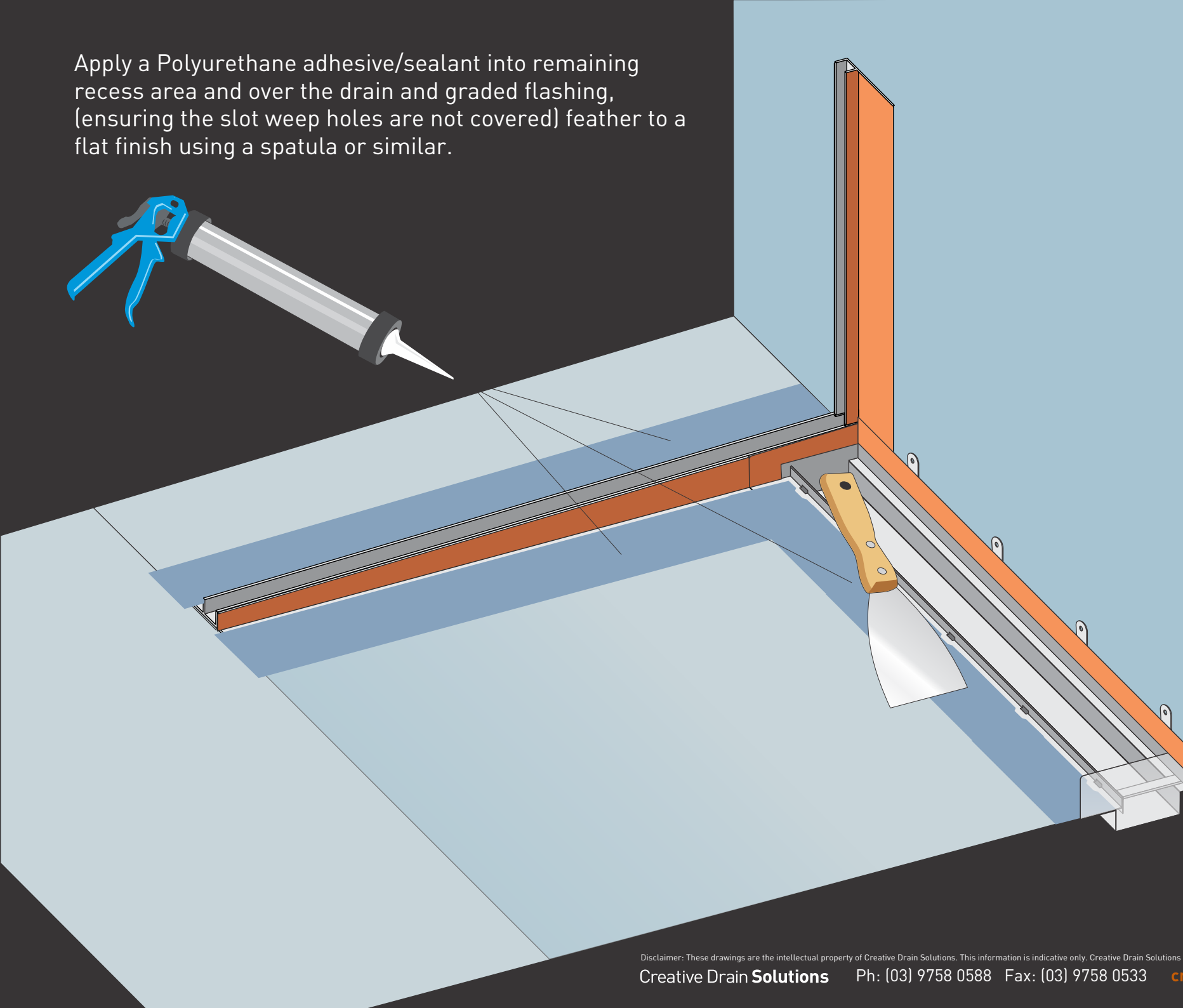
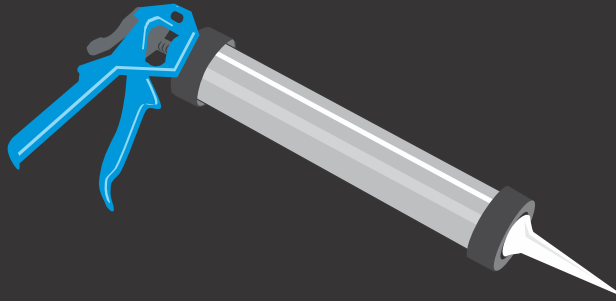
STEP

6

Disclaimer: These drawings are the intellectual property of Creative Drain Solutions. This information is indicative only. Creative Drain Solutions accepts no liability arising from the use of this information.

Creative Drain **Solutions** Ph: (03) 9758 0588 Fax: (03) 9758 0533 creativedrainsolutions.com.au

Apply a Polyurethane adhesive/sealant into remaining recess area and over the drain and graded flashing, (ensuring the slot weep holes are not covered) feather to a flat finish using a spatula or similar.



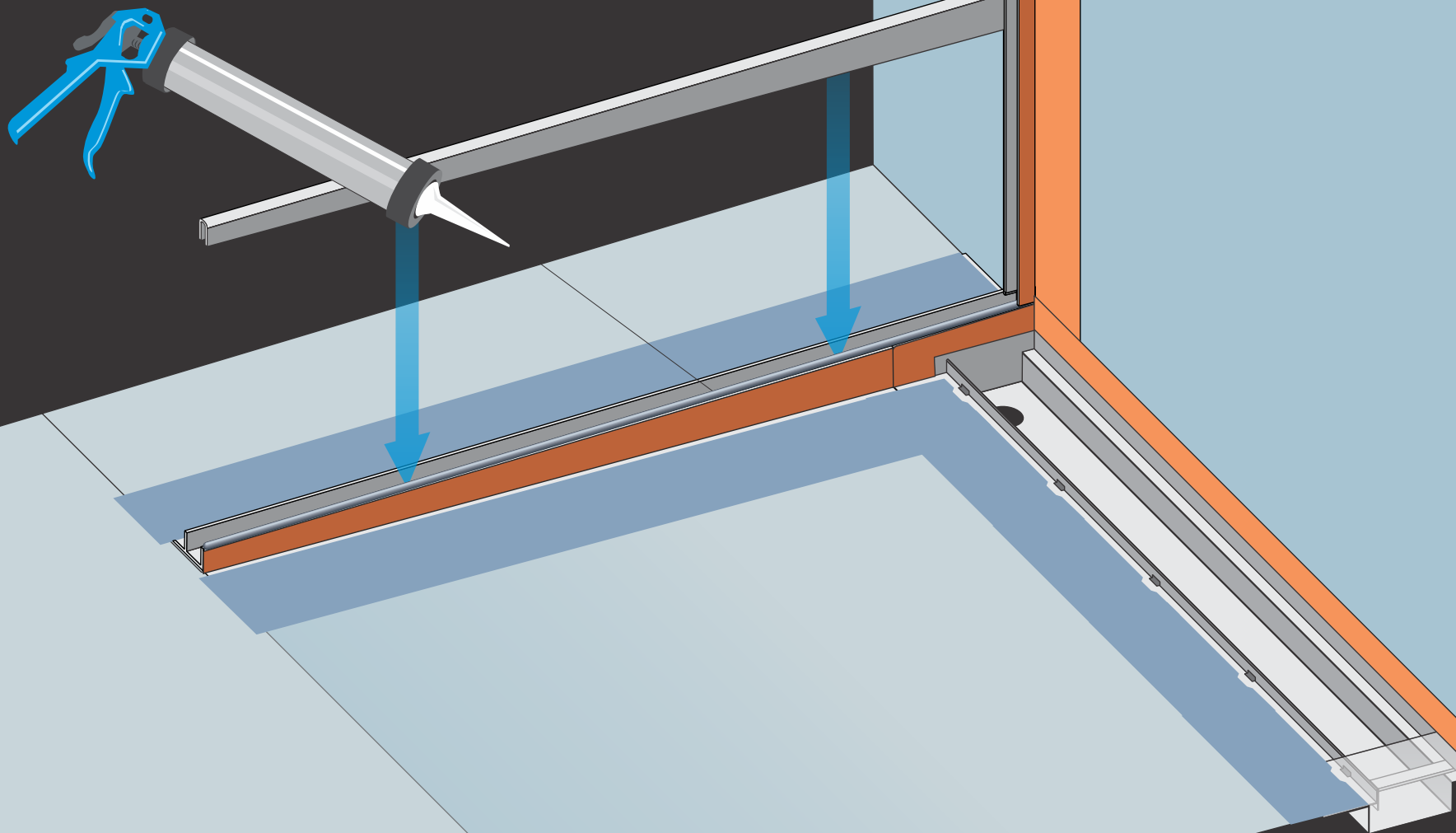
STEP

7

Disclaimer: These drawings are the intellectual property of Creative Drain Solutions. This information is indicative only. Creative Drain Solutions accepts no liability arising from the use of this information.

Creative Drain **Solutions** Ph: (03) 9758 0588 Fax: (03) 9758 0533 creativedrainsolutions.com.au

Install "U-shaped" hook flashing over the graded and glass flashing edges using a Polyurethane adhesive/sealant,



Creative Drain Solutions™

STEP

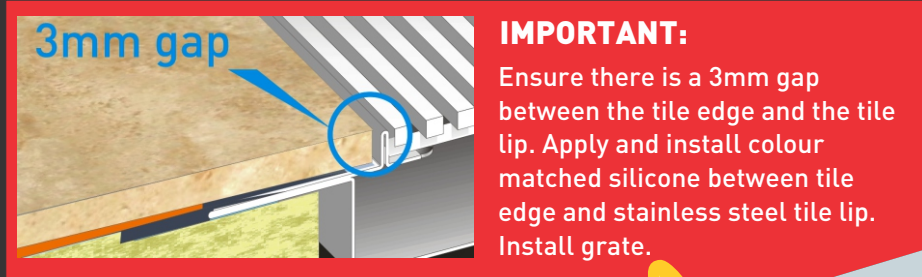
8

Disclaimer: These drawings are the intellectual property of Creative Drain Solutions. This information is indicative only. Creative Drain Solutions accepts no liability arising from the use of this information.

Creative Drain **Solutions** Ph: (03) 9758 0588 Fax: (03) 9758 0533 creativedrainsolutions.com.au

Apply two coats of propriety waterproofing compound over the wet area, to AS374-2010 standards.

Your shower area is now ready for tiling.



Creative Drain Solutions™

STEP

9

Disclaimer: These drawings are the intellectual property of Creative Drain Solutions. This information is indicative only. Creative Drain Solutions accepts no liability arising from the use of this information.

Creative Drain **Solutions** Ph: (03) 9758 0588 Fax: (03) 9758 0533 creativedrainsolutions.com.au